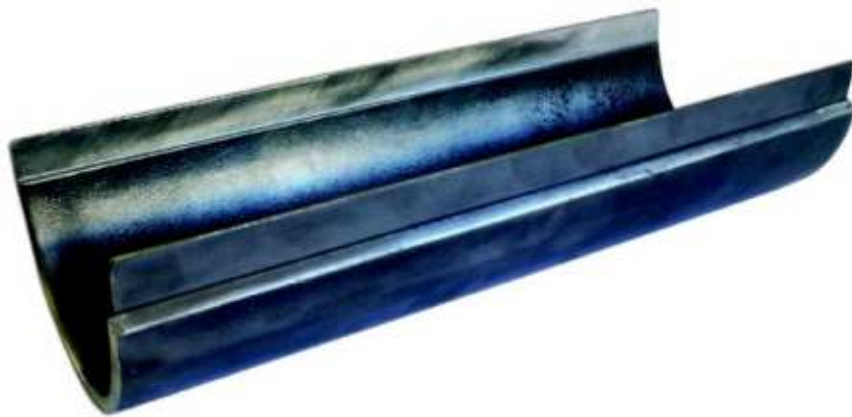


RELIABLE PIPES & TUBES LTD.



Exporting to

USA | Australia | Europe | UAE | Russian Union
Africa | Saudi Arabia | Kuwait | Iraq | Yemen | Qatar
Singapore | Malaysia | Indonesia | Vietnam | Korea



- Manufacturers of*
- *Half Sole Repair Sleeve*
 - *Pipes & Pipe Fittings*

Corp Off. : C-16, Anand Bhuvan, 163/165, V. P. Road, Mumbai - 400 004. Maharashtra, India.

Unit No. 1

Plot No. 1112 / 1113, Road No. 12, Shree Opera House,
Kalamboli Steel Market, Dist. Raigad, Maharashtra.

Unit No. 2

Plot No. 555, Road No. 4, KWC, Kalamboli,
Dist. Raigad, Maharashtra, Pin Code - 410 218.

Unit No. 3

Plot No. 726, Road No. 6, Opp. Disma Dharam Kata,
Kalamboli, Dist. Raigad, Maharashtra.

Unit No. 4

E-10/3, MIDC, Near Technova Company, Taloja,
Navi Mumbai - 410 208.

Mr. Rahul Mehta : +91 9833938715 | Mr. Abhilash Nair : +91 9324233293 Tel.: +91-22-43431313 / 23894513 / 14 / 15 | Fax : +91-22-23894511

www.halfpipesleeve.com | www.reliablepipes.com | sales@reliablepipes.com | export@reliablepipes.com

RELIABLE PIPES & TUBES LTD.

General

Half Repair pipe Sleeves are designed to avoid a costly shut down. Existing lines can be cased without thru-put loss, because it is not necessary to shut down the carrier line to perform the required repair. A full scope of sizes, ASTM grades of steel plate (structural and pressure vessel quality), wall thickness and longitudinal edge options are available. Half Sole Repair Sleeves, also called split casing or half wrap, are custom-fabricated to your specifications, to assure a precision product and secure fit. There are four types of material available, two pressure-rated steels and two structural-grade steel. The pressure-rated steel sleeves can be used to repair leaking and non-leaking defects while the structural-grade steel sleeves can function as reinforcement for a defective area.



Feature

The steel repair sleeves can be used for internal and external corrosion, gouges, dents, grooves, arc burns, cracks, defective girth welds, laminations and leaks.

Pressure containing sleeves feature a wall thickness equal to or greater than required for the maximum allowable operating pressure or the full strength of the pipe being repaired. The steel Repair sleeve material is certified and the carbon equivalent will not exceed 0.45 percent. Each half-sole segment comes with one pre-crimped back-up strip.

Steel Repair Sleeves can be used as pads or cradles for above ground piping, drain tile supports and patches (segments in 90° and 180° arcs, from 6-inches to 10 feet in length are available as specials).

Each Steel Repair Sleeve has standard bevels with a back-up strip and material certifications. Sleeve ends are square cut. Back-up strip are not included with Standard Girth Weld Steel Repair Sleeves but are available as special order.

Corp Off. : C-16, Anand Bhuvan, 163/165, V. P. Road, Mumbai - 400 004. Maharashtra, India.

Unit No. 1

Plot No. 1112/ 1113, Road No. 12, Shree Opera House,
Kalamboli Steel Market, Dist. Raigad, Maharashtra.

Unit No. 2

Plot No. 555, Road No. 4, KWC, Kalamboli,
Dist. Raigad, Maharashtra, Pin Code - 410 218.

Unit No. 3

Plot No. 726, Road No. 6, Opp. Disma Dharam Kata,
Kalamboli, Dist. Raigad, Maharashtra.

Unit No. 4

E-10/3, MIDC, Near Technova Company, Taloja,
Navi Mumbai - 410 208.

Mr. Rahul Mehta : +91 9833938715 | Mr. Abhilash Nair : +91 9324233293 Tel.: +91-22-43431313 / 23894513 / 14 / 15 | Fax : +91-22-23894511

www.halfpipesleeve.com | www.reliablepipes.com | sales@reliablepipes.com | export@reliablepipes.com

RELIABLE PIPES & TUBES LTD.

Material

Material used are structural quality carbon steel or pressure vessel quality carbon steel plates, which are to ASTM specifications, and in the following grades:

API 5LX52 / 60 / 65 / 70 - PSL 1 - PSL2 (minimum yield 52000 / 60000 / 65000 / 70000)

ASTM A36 (structural; minimum yield 36,000 psi)

ASTM A572 GR50 (structural; minimum yield 50,000 psi)

ASTM A572 GR65 (structural; minimum yield 65,000 psi)

ASTM A516 GR70 (pressure vessel; minimum yield 38,000 psi)

ASTM A537 Class I (pressure vessel; minimum yield 50,000 psi)

The chemical composition does not exceed the percentages specified for the ASTM material ordered. Repair sleeves are fabricated from plate with low carbon equivalency for good weld ability.

The maximum allowable carbon equivalency (CE) quality carbon steel plates will be based on the heat analysis.

The maximum allowable carbon equivalency (CE) pressure vessel quality carbon steel plates will be based on the heat analysis, in most cases.

Manufacturing

Half Repair Pipe Sleeve is formed by rolling, step braking, or die forming without the use of heat treating. Longitudinal edges of the Half Sole are beveled for welding, if requested, at 30°. The bevel are a mechanical type and/or produced by plasma torch burning.

Half Repair Pipe Sleeve ends have sheared square edges for fillet welding, unless square end bevel is requested, and are available in maximum lengths of:

Pipe O.D. Size	Sleeve Length
2" thru 3 1/2"	= 5' 0"
4" thru 12"	= 10' 0"
14" thru 16"	= 8' 0"
All sizes over 16"	= 10' 0"

Size

2" NB to 60" O.D.

Thickness 4 mm to 50 mm

Corp Off. : C-16, Anand Bhuvan, 163/165, V. P. Road, Mumbai - 400 004. Maharashtra, India.

Unit No. 1

Plot No. 1112 / 1113, Road No. 12, Shree Opera House,
Kalamboli Steel Market, Dist. Raigad, Maharashtra.

Unit No. 2

Plot No. 555, Road No. 4, KWC, Kalamboli,
Dist. Raigad, Maharashtra, Pin Code - 410 218.

Unit No. 3

Plot No. 726, Road No. 6, Opp. Disma Dharam Kata,
Kalamboli, Dist. Raigad, Maharashtra.

Unit No. 4

E-10/3, MIDC, Near Technova Company, Taloja,
Navi Mumbai - 410 208.

Mr. Rahul Mehta : +91 9833938715 | Mr. Abhilash Nair : +91 9324233293 Tel.: +91-22-43431313 / 23894513 / 14 / 15 | Fax : +91-22-23894511

www.halfpipesleeve.com | www.reliablepipes.com | sales@reliablepipes.com | export@reliablepipes.com

RELIABLE PIPES & TUBES LTD.

Exporter of API 5L Pipes

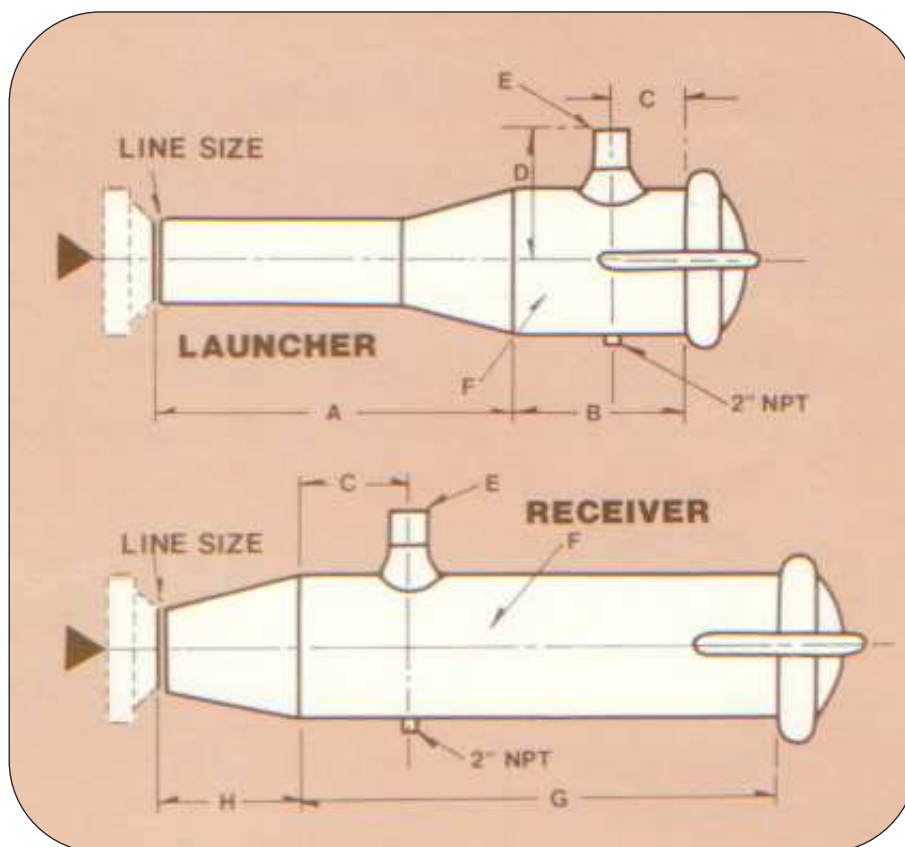
We are also one of the biggest Exporters of High Tensile big dia, Low Sulphur, Low Phosphorus LSAW/DSAW Pipes for **Pig Launcher and Receivers**.

We have the capacity of Supplying LSAW/DSAW pipes upto 60" O.D. and Seamless pipes upto 26" O.D.

Grade : API 5LX42 / 46 / 52 / 56 / 60 / 65 / 70 / 80 - PSL 1 / PSL 2

Size : 1/2" to 26" O.D. - Seamless
 10" to 60" O.D. - LSAW / DSAW
 4 mm to 100 mm - Thickness

Supplementary Requirement : Sulphur < 0.002%
 Sour Service, SSC Test, HIC Test
 Nace MR0175 / 0103, ISO 31083



Corp Off. : C-16, Anand Bhuvan, 163/165, V. P. Road, Mumbai - 400 004. Maharashtra, India.

Unit No. 1

Plot No. 1112 / 1113, Road No. 12, Shree Opera House,
 Kalamboli Steel Market, Dist. Raigad, Maharashtra.

Unit No. 2

Plot No. 555, Road No. 4, KWC, Kalamboli,
 Dist. Raigad, Maharashtra, Pin Code - 410 218.

Unit No. 3

Plot No. 726, Road No. 6, Opp. Disma Dharam Kata,
 Kalamboli, Dist. Raigad, Maharashtra.

Unit No. 4

E-10/3, MIDC, Near Technova Company, Taloja,
 Navi Mumbai - 410 208.

Mr. Rahul Mehta : +91 9833938715 | Mr. Abhilash Nair : +91 9324233293 Tel.: +91-22-43431313 / 23894513 / 14 / 15 | Fax : +91-22-23894511

www.halfpipesleeve.com | www.reliablepipes.com | sales@reliablepipes.com | export@reliablepipes.com